

LANCER®

ICD 2200

High Performance Drop-In Dispenser



The ICD 2200 is designed using the highest quality materials and state-of-the-art technology providing our customers with consistent drink quality.

- Available with 5 or 6 valves in post-mix and pre-mix versions
- Stainless steel construction with sealed-in cold plate
- 3/4" drain with strainer to prevent ice blockage
- Stainless steels flooded soda manifold and multiple plain water configuration
- Ice bin and tower manifold insulated with CFC free structural foam
- Tower designed with removable splash plate for easy access to components
- Optional top merchandiser and back marquee feature lighted graphics for maximum impact and splash guards





ICD 2200 High Performance

OPTIONS

Marquee



Merchandiser



Splash Guards



Power Supply

CONVERSION STAND 15" X 23"

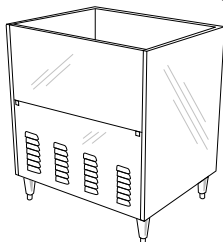
All stainless steel construction

Front access panel

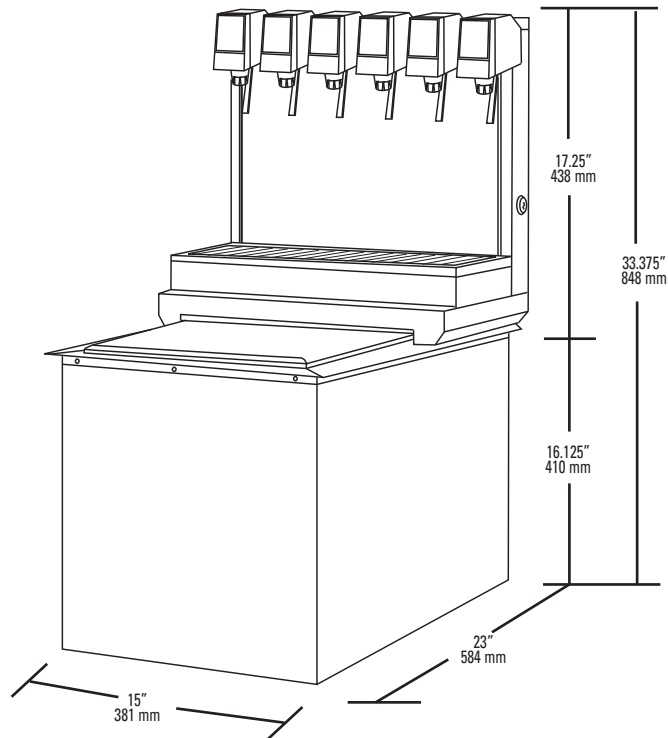
6" (152 mm) adjustable legs

Allows quick and easy conversion from drop-in to free-standing unit

Shipping weight : 80lbs (36.28kg)



SPECIFICATIONS



DIMENSIONS

Width: 15 in (381 mm)
Depth: 23 in (584 mm)
Height: 33.375 in (848 mm)

SPACE REQUIRED

Width: 15.25 in (387mm)
Deep: 23.25 in (591mm)

ELECTRICAL

24VAC/60Hz

WEIGHT

Operating: 166 lbs (75 kg)
Shipping: 145 lbs (65.77 kg)

ICE

Capacity: 60 lbs (27.2 kg)

FITTINGS

Soda inlets: 3/8" male barb
Syrup inlets: 3/8" male barb

VALVES

LEV® and other valves available upon request

FLEX MANIFOLD CONFIGURATION

5 valve 3-1-1
6 valve 3-2-1

KEY LOCK SWITCH

DRAW PERFORMANCE

Number of Drinks Below 40°F

75°F (24°C) Ambient Temperature

12 oz./6 drinks per minute
24 oz./4 drinks per minute

90°F (32°C) Ambient Temperature

12 oz./4 drinks per minute
24 oz./3 drinks per minute

Units can supply drinks under 40°F at rated draw performance continuously as long as ice is kept on cold plate.

Warranty: For warranty specifics by product, contact your Lancer Sales Representatives.

CORPORATE OFFICE 6655 Lancer Blvd - San Antonio, TX 78219
210-310-7000 - 1-800-729-1500 - FAX 210-310-7250 - www.lancercorp.com