

## ICD 2400

### Free Standing Dispenser



The ICD 2400 is designed using the highest quality materials and state-of-the-art technology providing our customers with consistent drink quality.

- Available with 5, 6 or 8 valves in post-mix and pre-mix versions
- Stainless steel construction with sealed-in cold plate
- 3/4" drain with strainer to prevent ice blockage
- Stainless steels flooded soda manifold and multiple plain water configuration
- Ice bin and tower manifold insulated with CFC free structural foam
- Tower designed with removable splash plate for easy access to components
- Dispenser can accommodate any number of non-carbonated drinks
- Optional top merchandiser and back marquee feature lighted graphics for maximum impact and splash guards
- Flex manifold configuration for multiple non-carbonated drinks
- Cabinet supplied with 6" leg kit or optional casters





# ICD 2400 Free Standing

## OPTIONS

Marquee



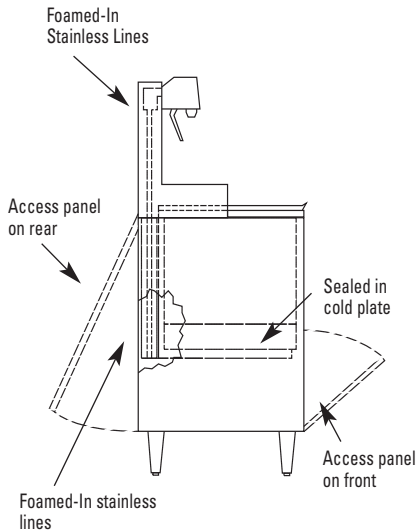
Merchandiser



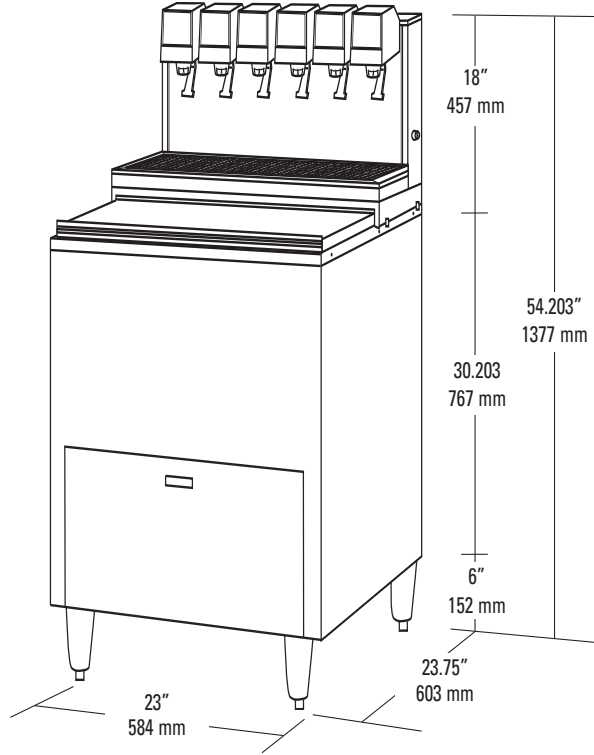
Splash Guards



Power Supply



## SPECIFICATIONS



### DIMENSIONS

Width: 23 in (584 mm)  
 Depth: 23.75 in (603 mm)  
 Height: 54.203 in (1377 mm)

### SPACE REQUIRED

Width: 23.25 in (591mm)  
 Deep: 24 in (603mm)

### ELECTRICAL

24VAC/60Hz

### WEIGHT

Operating: 206 lbs (93 kg)  
 Shipping: 130 lbs (59 kg)

### ICE

Capacity: 100 lbs (45 kg)

### FITTINGS

Soda inlets: 3/8" male barb  
 Syrup inlets: 3/8" male barb

### VALVES

LEV® and other valves available upon request

### FLEX MANIFOLD CONFIGURATION

5 valve 2-2-1, 4-1  
 6 valve 3-2-1, 5-1  
 8 valve 3-1-1-3

### KEY LOCK SWITCH

## DRAW PERFORMANCE

### Number of Drinks Below 40°F

#### 75°F (24°C) Ambient Temperature

12 oz./12 drinks per minute  
 24 oz./7 drinks per minute

#### 90°F (32°C) Ambient Temperature

12 oz./8 drinks per minute  
 24 oz./5 drinks per minute

*Units can supply drinks under 40°F at rated draw performance continuously as long as ice is kept on cold plate.*

**Warranty:** For warranty specifics by product, contact your Lancer Sales Representatives.

CORPORATE OFFICE 6655 Lancer Blvd - San Antonio, TX 78219  
 210-310-7000 - 1-800-729-1500 - FAX 210-310-7250 - www.lancercorp.com

Equipment design and/or specifications may change without notice.

"Lancer" is the registered trademark of Lancer © 2007 by Lancer, all rights reserved.

ICD 2400 CC Spec Sheet 08/07