

LANCER®

IBD 4500 44" Ice-Beverage Dispenser



The IBD is Lancer's #1 selling self-serve dispenser. Hard-plumbed syrup and water lines deliver excellent icy-cold drinks. Versatile valve configurations and a portion-control option allow for easy beverage-cost monitoring. Topped with a compelling wrap-around display, the IBD is a favorite of our customers.

- Industry standard platforms in 44" width - 12 valve, lever or push button dispensing versatility
- Unique hex-drive ice agitation and dispense drive system for trouble-free operation and long service life
- Illuminated interchangeable front graphics, standard fluorescent 15 watt light bulb
- Multiple valve configurations available for self-serve and portion control operation to control beverage costs
- Visual low-ice indicator lights up to alert the need for ice in the dispenser bin
- Heavy duty stainless steel construction, exterior and interior
- High-capacity ice storage bin
- Fully insulated storage bin and drip tray controls condensation and helps avoid moisture related safety hazards
- High-capacity drip tray to handle customer ice and beverage over-fill helps avoid safety hazards and drink station clean-up from spills
- Plumbing access front and rear for installation flexibility

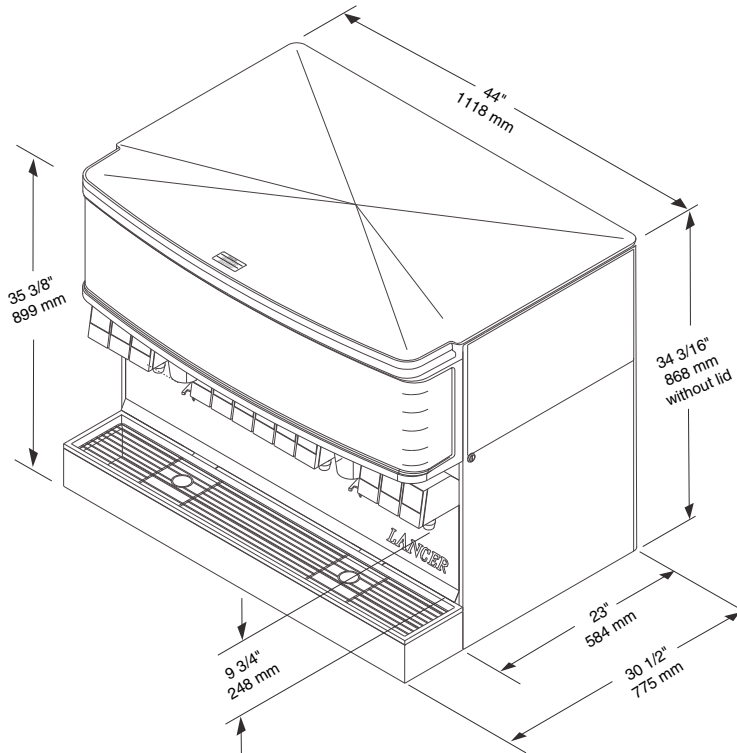


ETL CERTIFIED TO UL STD 783 AND
CAN/CSA STD 22.2 NO. 195

LANCER®

IBD 4500 44"

SPECIFICATIONS

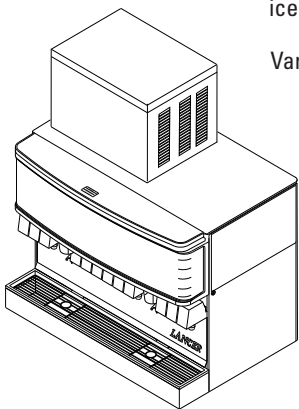


ICE MAKER COMPATIBILITY

Accepts 30" and 42" wide ice makers with adapter

Manual front load when ice maker installed

Variable automatic agitation timer



DIMENSIONS

Width: 44 in (1118 mm)
Depth: 30.5 in (775 mm)
Height: 35.375 in (899 mm)

SPACE REQUIRED

Width: 44 in (1118 mm)
Deep: 30.5 (775 mm)

ELECTRICAL

115VAC/60Hz, 6AMPs
230VAC/50Hz, 3AMPs

WEIGHT

With ice: 760 lbs (345 kg)
Shipping: 460 lbs (209 kg)

ICE

Capacity: 360 lbs (163 kg)
Dispensable: 300 lbs (136 kg)

FITTINGS

Soda inlets: 3/8" male barb
Syrup inlets: 3/8" male barb

VALVES

Flomatic
UFI

FLEX MANIFOLD CONFIGURATION

3-2-1-1-2-3

KEY LOCK SWITCH

DRAW PERFORMANCE

Number of Drinks Below 40°F

75°F (24°C) Ambient Temperature

12 oz./20 drinks per minute
24 oz./8 drinks per minute

90°F (32°C) Ambient Temperature

12 oz./14 drinks per minute
24 oz./5 drinks per minute

Units can supply drinks under 40°F at rated draw performance continuously as long as ice is kept on cold plate.

Warranty: For warranty specifics by product, contact your Lancer Sales Representatives.

Equipment design and/or specifications may change without notice.

CORPORATE OFFICE 6655 Lancer Blvd • San Antonio, TX 78219
210-310-7000 • 1-800-729-1500 • FAX 210-310-7250 • www.lancercorp.com

"Lancer" is the registered trademark of Lancer Corporation © 2010 Lancer, all rights reserved.

IBD 4500 44 Gen Spec Sheet 01/10