

# LANCER®

## IBD 4500 30" Ice-Beverage Dispenser



The IBD is Lancer's #1 selling self-serve dispenser. Hard-plumbed syrup and water lines deliver excellent icy-cold drinks. Versatile valve configurations and a portion-control option allow for easy beverage-cost monitoring. Topped with a compelling wrap-around display, the IBD is a favorite of our customers.

- Industry standard platforms in 30" width - 8 or 10 valve, lever or push button dispensing versatility
- Unique hex-drive ice agitation and dispense drive system for trouble-free operation and long service life
- Illuminated interchangeable front graphics, standard fluorescent 15 watt light bulb
- Multiple valve configurations available for self-serve and portion control operation to control beverage costs
- Visual low-ice indicator lights up to alert the need for ice in the dispenser bin
- Heavy duty stainless steel construction, exterior and interior
- High-capacity ice storage bin
- Fully insulated storage bin and drip tray controls condensation and helps avoid moisture related safety hazards
- High-capacity drip tray to handle customer ice and beverage over-fill helps avoid safety hazards and drink station clean-up from spills
- Plumbing access front and rear for installation flexibility

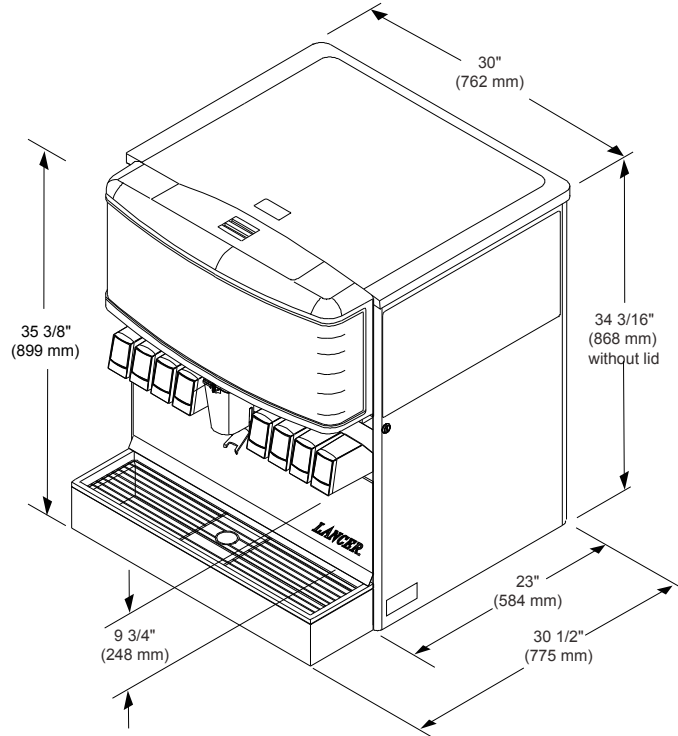


ETL CERTIFIED TO UL STD 783 AND  
CAN/CSA STD 22.2 NO. 195

# LANCER®

## IBD 4500 30"

### SPECIFICATIONS



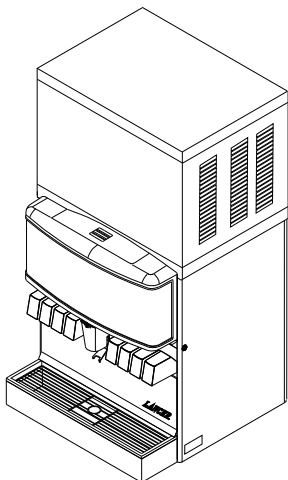
#### ICE MAKER COMPATIBILITY

Accepts 30" and 22" wide ice makers (adapters may be required)

Manual front load when ice maker installed

Variable automatic agitation timer

Pellet capable dispense is available-specifications on request



#### DIMENSIONS

Width: 30 in (762 mm)  
Depth: 30.5 in (775 mm)  
Height: 35.375 in (899 mm)

#### SPACE REQUIRED

Width: 30 in (762 mm)  
Deep: 30.5 (775 mm)

#### ELECTRICAL

115VAC/60Hz, 3AMPs  
230VAC/50Hz, 1.5AMPs

#### WEIGHT

With ice: 525 lbs (238 kg)  
Shipping: 305 lbs (138 kg)

#### ICE (CUBE)

Capacity: 250 lbs (113 kg)  
Dispensable: 175 lbs (79 kg)

#### FITTINGS

Soda inlets: 3/8" male barb  
Syrup inlets: 3/8" male barb

#### VALVES

Fromatic  
UFI

#### FLEX MANIFOLD CONFIGURATION

8 Valve: 3-1-1-3  
10 Valve: 3-1-2-1-3

#### KEY LOCK SWITCH

#### DRAW PERFORMANCE

##### Number of Drinks Below 40°F

##### 75°F (24°C) Ambient Temperature

12 oz./11 drinks per minute  
24 oz./5 drinks per minute

##### 90°F (32°C) Ambient Temperature

12 oz./8.5 drinks per minute  
24 oz./3.5 drinks per minute

*Units can supply drinks under 40°F at rated draw performance continuously as long as ice is kept on cold plate.*

**Warranty:** For warranty specifics by product, contact your Lancer Sales Representatives.

CORPORATE OFFICE 6655 Lancer Blvd - San Antonio, TX 78219  
210-310-7000 - 1-800-729-1500 - FAX 210-310-7250 - www.lancercorp.com

Equipment design and/or specifications may change without notice.

"Lancer" is the registered trademark of Lancer Corporation © 2010 Lancer, all rights reserved.

IBD 4500 30 Gen Spec Sheet 01/10