

LANCER®

IBD 4500 30" Coca-Cola Ice-Beverage Dispenser



8 valves



10 valves

The IBD is Lancer's #1 selling self-serve dispenser. Hard-plumbed syrup and water lines deliver excellent icy-cold drinks. Versatile valve configurations and a portion-control option allow for easy beverage-cost monitoring. Topped with a compelling wrap-around display, the IBD is a favorite of our customers.

- Industry standard platforms in 30" width - 8 or 10 valve, lever or push-button dispensing versatility
- Unique hex-drive ice agitation and dispense drive system for trouble-free operation and long service life
- Illuminated interchangeable front graphics, standard fluorescent 15 watt light bulb
- Multiple valve configurations available for self-serve and portion control operation to control beverage costs
- Visual low-ice indicator lights up to alert the need for ice in the dispenser bin
- Heavy duty stainless steel construction, exterior and interior
- High-capacity ice storage bin
- Fully insulated storage bin and drip tray controls condensation and helps avoid moisture related safety hazards
- High-capacity drip tray to handle customer ice and beverage over-fill helps avoid safety hazards and drink station clean-up from spills
- Plumbing access front and rear for installation flexibility

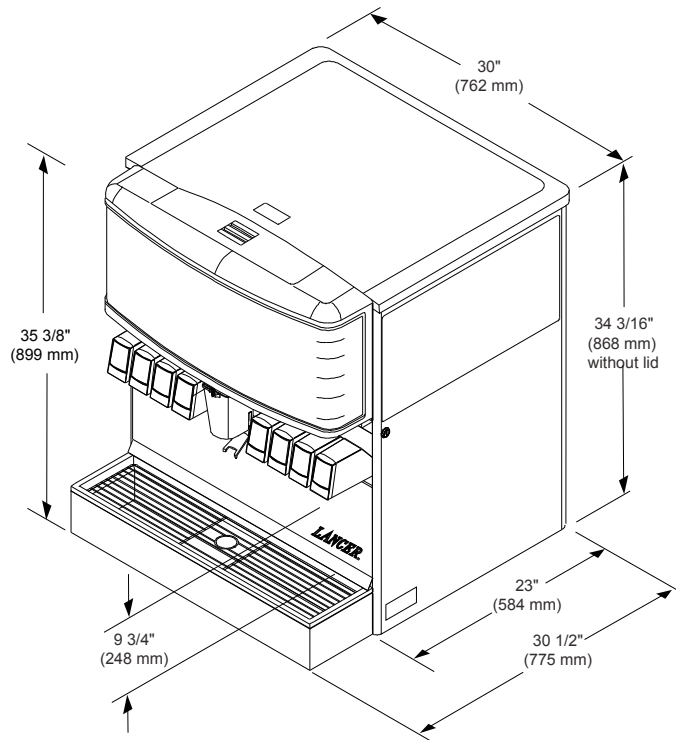


ETL CERTIFIED TO UL STD 783 AND
CAN/CSA STD 22.2 NO. 195



IBD 4500 30" Coca-Cola

SPECIFICATIONS



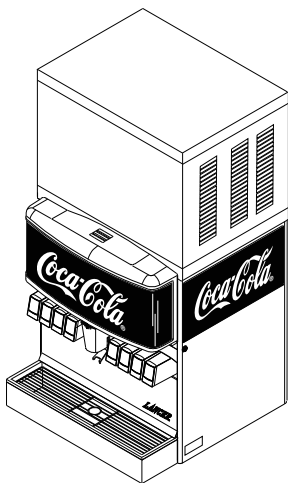
ICE MAKER COMPATIBILITY

Accepts 30" and 22" wide ice makers (adapters may be required)

Manual front load when ice maker installed

Variable automatic agitation timer

Pellet capable dispense is available-specifications on request



DIMENSIONS

Width: 30 in (762 mm)
Depth: 30.5 in (775 mm)
Height: 35.375 in (899 mm)

SPACE REQUIRED

Width: 30 in (775 mm)
Deep: 30.5 (775 mm)

ELECTRICAL

115VAC/60Hz, 3AMPs
230VAC/50Hz, 1.5AMPs

WEIGHT

With ice: 525 lbs (238 kg)
Shipping: 305 lbs (138 kg)

ICE (CUBE)

Capacity: 250 lbs (113 kg)
Dispensable: 175 lbs (79 kg)

FITTINGS

Soda inlets: 3/8" male barb
Syrup inlets: 3/8" male barb

VALVES

LEV® other valves available upon request

FLEX MANIFOLD CONFIGURATION

8 Valve: 3-1-1-3
10 Valve: 3-1-2-1-3

KEY LOCK SWITCH

Note: specifications are the same for 8 and 10 valve

DRAW PERFORMANCE

Number of Drinks Below 40°F

75°F (24°C) Ambient Temperature

12 oz./11 drinks per minute
24 oz./5 drinks per minute

90°F (32°C) Ambient Temperature

12 oz./8.5 drinks per minute
24 oz./3.5 drinks per minute

Units can supply drinks under 40°F at rated draw performance continuously as long as ice is kept on cold plate. (Draw performance for 8 valve)

Warranty: For warranty specifics by product, contact your Lancer Sales Representatives.

CORPORATE OFFICE 6655 Lancer Blvd - San Antonio, TX 78219
210-310-7000 - 1-800-729-1500 - FAX 210-310-7250 - www.lancercorp.com