



IBD 4500 22" Ice-Beverage Dispenser

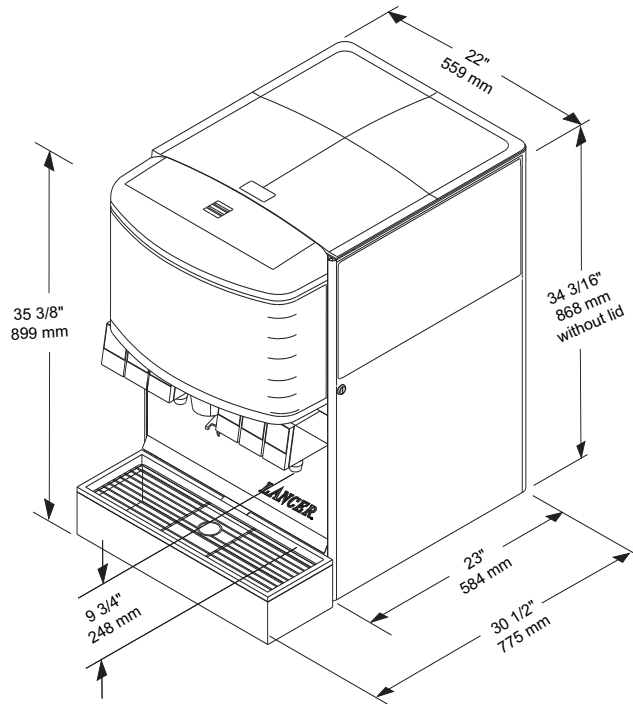
The IBD 4500 22" is designed using the highest quality materials and state-of-the-art technology providing our customers with consistent drink quality and ice dispensing.

- Industry standard platforms in 22" width - 6 valves, lever or push button dispensing versatility
- Unique hex-drive ice agitation and dispense drive system for trouble-free operation and long service life
- Illuminated interchangeable front graphics, standard fluorescent 15 watt light bulb
- Multiple valve configurations available for self-serve and portion control operation to control beverage costs
- Visual low-ice indicator lights up to alert the need for ice in the dispenser bin
- Heavy duty stainless steel construction, exterior and interior
- High-capacity ice storage bin for extended dispense during busy day parts
- Fully insulated storage bin and drip tray controls condensation and helps avoid moisture related safety hazards
- High-capacity drip tray to handle customer ice and beverage over-fill helps avoid safety hazards and drink station clean-up from spills
- Plumbing access front and rear for installation flexibility
- Hard plumbed syrup and water lines



IBD 4500 22"

SPECIFICATIONS



ICE MAKER COMPATIBILITY

Accepts 22" wide ice makers (adapter may be required)

Manual front load when ice maker installed

Variable automatic agitation timer

Pellet capable dispense is available-specifications on request

<p>DIMENSIONS Width: 22 in (559 mm) Depth: 30.5 in (775 mm) Height: 35.375 in (899 mm)</p> <p>SPACE REQUIRED Width: 22 in (559 mm) Deep: 30.5 in (775 mm)</p> <p>ELECTRICAL 115VAC/60Hz, 3AMPs 230VAC/50Hz, 1.5AMPs</p>	<p>WEIGHT With ice: 405 lbs (184kg) Shipping: 255 lbs (116kg)</p> <p>ICE (CUBE) Capacity: 180 lbs (82 kg) Dispensable: 150 lbs (68 kg)</p> <p>FITTINGS Soda inlets: 3/8" male barb Syrup inlets: 3/8" male barb</p>	<p>VALVES Flomatic UFI</p> <p>FLEX MANIFOLD CONFIGURATION 3-2-1</p> <p>KEY LOCK SWITCH</p>
--	--	---

DRAW PERFORMANCE

Number of Drinks Below 40°F

75°F (24°C) Ambient Temperature

12 oz./10 drinks per minute

24 oz./5 drinks per minute

90°F (32°C) Ambient Temperature

12 oz./7.5 drinks per minute

24 oz./3 drinks per minute

Units can supply drinks under 40°F at rated draw performance continuously as long as ice is kept on cold plate.

Warranty: For warranty specifics by product, contact your Lancer Sales Representatives.

CORPORATE OFFICE 6655 Lancer Blvd - San Antonio, TX 78219
210-310-7000 - 1-800-729-1500 - FAX 210-310-7250 - www.lancercorp.com

Equipment design and/or specifications may change without notice.

"Lancer" is the registered trademark of Lancer © 2007 by Lancer, all rights reserved.

IBD 4500 22 Gen Spec Sheet 08/07