



IBD 4500 22" Coca-Cola Ice-Beverage Dispenser

The IBD 4500 22" is designed using the highest quality materials and state-of-the-art technology providing our customers with consistent drink quality and ice dispensing.

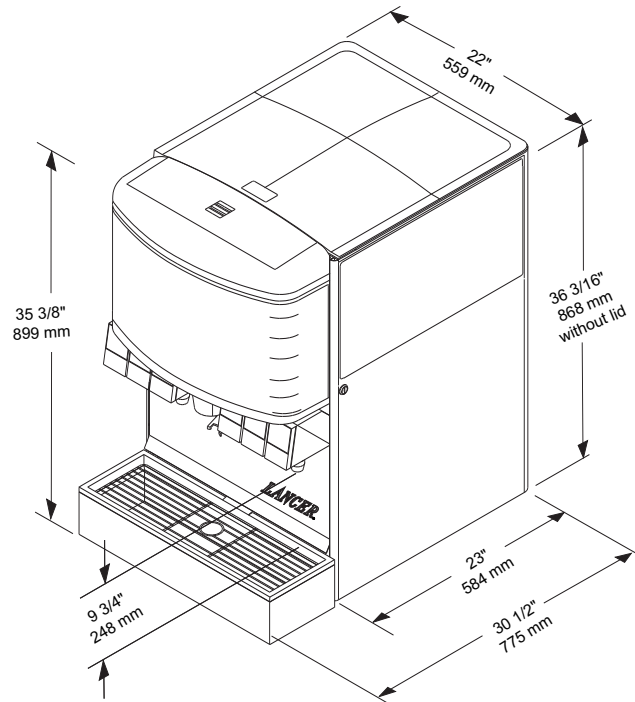
- Industry standard platforms in 22" width - 6 valves, lever or push button dispensing versatility
- Unique hex-drive ice agitation and dispense drive system for trouble-free operation and long service life
- Illuminated interchangeable front graphics, standard fluorescent 15 watt light bulb
- Multiple valve configurations available for self-serve and portion control operation to control beverage costs
- Visual low-ice indicator lights up to alert the need for ice in the dispenser bin
- Heavy duty stainless steel construction, exterior and interior
- High-capacity ice storage bin for extended dispense during busy day parts
- Fully insulated storage bin and drip tray controls condensation and helps avoid moisture related safety hazards
- High-capacity drip tray to handle customer ice and beverage over-fill helps avoid safety hazards and drink station clean-up from spills
- Plumbing access front and rear for installation flexibility
- Hard plumbed syrup and water lines





IBD 4500 22" Coca-Cola

S P E C I F I C A T I O N S



ICE MAKER COMPATIBILITY

Accepts 22" wide ice makers
(adapter may be required)

Manual front load when
ice maker installed

Variable automatic
agitation timer

Pellet capable dispense
is available-specifications
on request

<p>DIMENSIONS Width: 22 in (559 mm) Depth: 30.5 in (775 mm) Height: 35.375 in (899 mm)</p> <p>SPACE REQUIRED Width: 22 in (559 mm) Deep: 30.5 in (775 mm)</p> <p>ELECTRICAL 115VAC/60Hz, 3AMPs 230VAC/50Hz, 1.5AMPs</p>	<p>WEIGHT With ice: 405 lbs (184kg) Shipping: 255 lbs (116kg)</p> <p>ICE (CUBE) Capacity: 180 lbs (82 kg) Dispensable: 150 lbs (68 kg)</p> <p>FITTINGS Soda inlets: 3/8" male barb Syrup inlets: 3/8" male barb</p>	<p>VALVES LEV® other valves available upon request</p> <p>FLEX MANIFOLD CONFIGURATION 3-2-1</p> <p>KEY LOCK SWITCH</p>
--	--	---

DRAW PERFORMANCE

Number of Drinks Below 40°F

75°F (24°C) Ambient Temperature

12 oz./10 drinks per minute

24 oz./5 drinks per minute

90°F (32°C) Ambient Temperature

12 oz./7.5 drinks per minute

24 oz./3 drinks per minute

Units can supply drinks under 40°F at rated draw performance continuously as long as ice is kept on cold plate.

Warranty: For warranty specifics by product,
contact your Lancer Sales Representatives.

CORPORATE OFFICE 6655 Lancer Blvd • San Antonio, TX 78219
210-310-7000 • 1-800-729-1500 • FAX 210-310-7250 • www.lancercorp.com

"Lancer" is the registered trademark of Lancer © 2007 by Lancer, all rights reserved.

IBD 4500 22 CC Spec Sheet 08/07

Equipment design and/or specifications may change without notice.