

# LANCER®

## FLAVOR SELECT

### FS60

#### Flavor Select Advanced Ice-Beverage Dispenser



The FS60 offers over 224 unique flavor combinations. Self-serve dispensing is interactive and entertaining with eye-catching “Lite Touch™” buttons. State-of-the-art cold carbonation technology provides a consistently pleasing drink experience. Enhanced ice capability allows customers to dispense cube and/or cubelet ice on demand.

- Cold carbonation for consistently better drink quality
- “Air Mix™” nozzles blend syrup and water in midair for consistent drink delivery
- 32 Brands for over 224 Flavor Possibilities
- Large Illuminated and interchangeable merchandiser
- Add up to 24 bonus flavors to create an exceptional drink experience
- Large capacity removable drip tray and cup rest
- “Lite Touch™” brand light show draws attention to your more profitable fountain section!
- Cubelet ice capable dispense is available-specifications on request
- Self-contained with multiple ice fill options

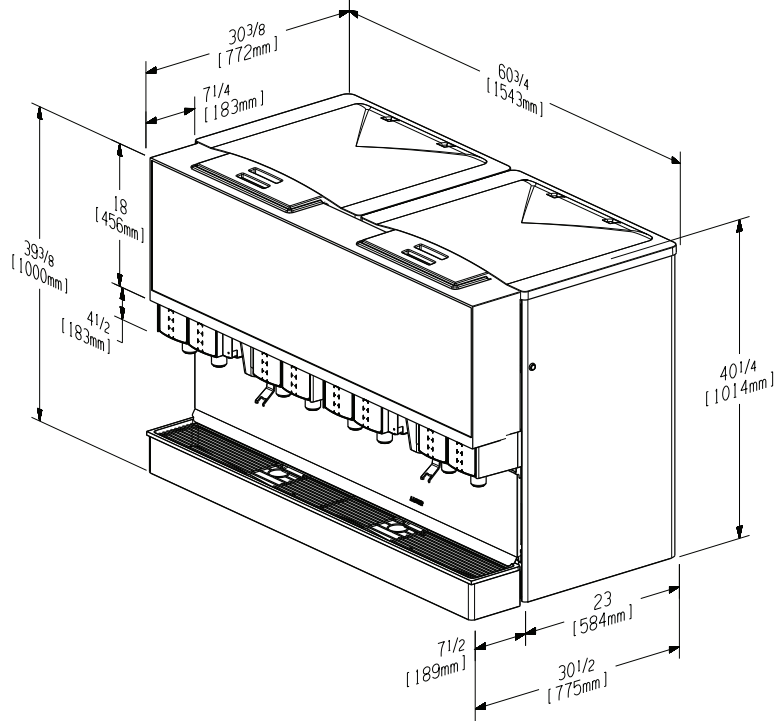


ETL CERTIFIED TO UL STD 783 AND  
CAN/CSA STD 22.2 NO. 195

# LANCER®

## FS60

### SPECIFICATIONS



#### User Interface Options for FS60

Brands - 16 to 32

Bonus Flavors - 0 to 24

Flavor possibilities 16 to 224



#### Lancer "Lite Touch" user interface panels



Up to 16 enhanced fountain brands available

Bonus flavor indicator

Add up to 12 bonus flavor options

#### DIMENSIONS

Width: 60.75 in (1543 mm)

Depth: 30.5 in (775 mm)

Height: 40.25 in (1014 mm)

#### SPACE REQUIRED

Left side: 1 in (25 mm)

Right side: 1 in (25 mm)

Back: 1 in (25 mm)

Top: 6 in (152 mm)

#### ELECTRICAL

115VAC/60Hz, 15AMPs

#### WEIGHT

With ice: 1100 lbs (500 kg)

#### ICE

Capacity: 500 lbs (227 kg)

Dispensable: 350 lbs (159 kg)

*(This dispenser contains two independent ice bins that utilize*

*two-30" icemakers and two-30" icemaker adapters. These bins can also be manually filled.)*

#### FITTINGS

Soda inlets: 3/8" barb

Syrup inlets: 3/8" barb

#### WATER

Filtered water 75 psi min  
- water booster recommended

Lancer LFCV Valves

Access to floor drain suggested

Field Configurable

Parts warranty

Front connection for products

**Warranty:** For warranty specifics by product, contact your Lancer Sales Representatives.

CORPORATE OFFICE 6655 Lancer Blvd - San Antonio, TX 78219  
210-310-7000 - 1-800-729-1500 - FAX 210-310-7250 - www.lancercorp.com

Equipment design and/or specifications may change without notice.

"Lancer" is the registered trademark of Lancer Corporation © 2010 Lancer, all rights reserved.

FS60 Spec Sheet 01/10