

# LANCER®

## FLAVOR SELECT



## FS 44

### Flavor Select Advanced Ice-Beverage Dispenser

The FS44 offers over 112 unique flavor combinations. Self-serve dispensing is interactive and entertaining with eye-catching "Lite Touch™" buttons. State-of-the-art cold carbonation technology provides a consistently pleasing drink experience. Enhanced ice capability allows customers to dispense cube and/or cubelet ice on demand.

- Cold carbonation for consistently better drink quality
- 16 Brands for over 112 Flavor Possibilities
- Add up to 12 bonus flavors to create an exceptional drink experience
- "Lite Touch™" brand light show draws attention to your more profitable fountain section!
- Self-contained with multiple ice fill options
- Fits in current 44" IBD footprint
- "Air Mix™" nozzles blend syrup and water in midair for consistent drink delivery
- Illuminated easily interchangeable merchandiser
- Large capacity removable drip tray and cup rest
- Cube & Cubelet ice capable dispense is available - specifications on request



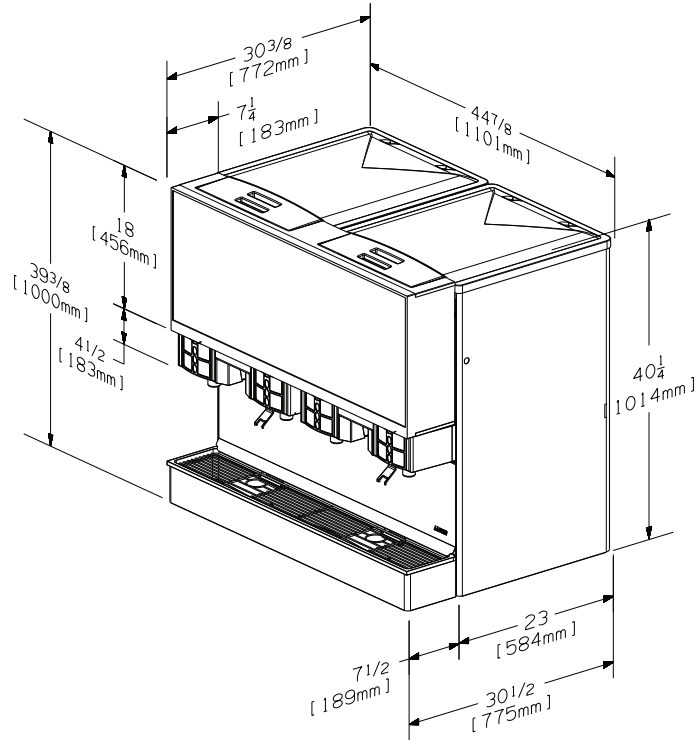
ETL CERTIFIED TO UL STD 783 AND  
CAN/CSA STD 22.2 NO. 195

6655 Lancer Blvd • San Antonio, TX 78219  
210-310-7000 • 1-800-729-1500 • FAX 210-310-7250 • [www.lancercorp.com](http://www.lancercorp.com)

# LANCER

## FS 44

### SPECIFICATIONS



#### User Interface Options for FS Series

FS44 - 16 Brands, 112 Flavor Possibilities

FS44 - 14 Brands, 98 Flavor Possibilities

FS44 - 12 Brands, 84 Flavor Possibilities



#### Lancer "Lite Touch" user interface panels



Up to 16 enhanced fountain brands available

Bonus flavor indicator

Add up to 12 bonus flavor options

#### DIMENSIONS

Width: 44.75in (1140mm)

Depth: 30.5in (775mm)

Height: 40.25in (1025mm)

#### SPACE REQUIRED

Left Side: 1 in (25 mm)

Right side: 1 in (25 mm)

Back: 1 in (25 mm)

Top: 6 in (152 mm)

Optional legs: 4 in (102 mm)

#### ELECTRICAL

(2) 120VAC/60Hz, 14AMPs

#### WEIGHT

Without ice: 620lbs (282kg)

With ice: 1020lbs (464kg)

Shipping: 710lbs (323kg)

#### ICE

Capacity: 400lbs(200lbs ea.)

Dispensable:  
340lbs 170lbs ea.)

*(This dispenser contains two independent ice bins that utilize two-22" icemakers and two-22" icemaker adapters. These bins can also be manually filled.)*

#### FITTINGS

Soda inlets: 3/8" barb

Syrup inlets: 3/8" barb

#### WATER

Filtered water 50 psi min required

Lancer LFCV Valves

Key lock switch for valves

Field Configurable

Front connection for products

Access to floor drain suggested

Parts warranty

**Warranty:** For warranty specifics by product, contact your Lancer Sales Representatives.

CORPORATE OFFICE 6655 Lancer Blvd - San Antonio, TX 78219  
210-310-7000 - 1-800-729-1500 - FAX 210-310-7250 - www.lancercorp.com

"Lancer" is the registered trademark of Lancer Corporation © 2010 Lancer, all rights reserved.

FS44 Single Spec Sheet 01/10

Equipment design and/or specifications may change without notice.