

LANCER®

FLAVOR SELECT



FS22

Flavor Select Advanced Ice-Beverage Dispenser

The FS22 offers over 56 unique flavor combinations. Self-serve dispensing is interactive and entertaining with eye-catching "Lite Touch™" buttons. State-of-the-art cold carbonation technology provides a consistently pleasing drink experience for our customers.

- Cold carbonation for consistently better drink quality
- Eight Brands for over 56 Flavor Possibilities
- Add up to six bonus flavors to create an exceptional drink experience
- "Lite Touch™" brand light show draws attention to your more profitable fountain section!
- A space-saving 22" footprint
- "Air Mix™" nozzles blend syrup and water in midair for consistent drink delivery
- Illuminated easily interchangeable merchandiser
- Large capacity removable drip tray and cup rest
- Self contained with multiple ice fill options
- Cubelet ice capable dispense is available-specifications on request



ETL CERTIFIED TO UL STD 783 AND
CAN/CSA STD 22.2 NO. 195

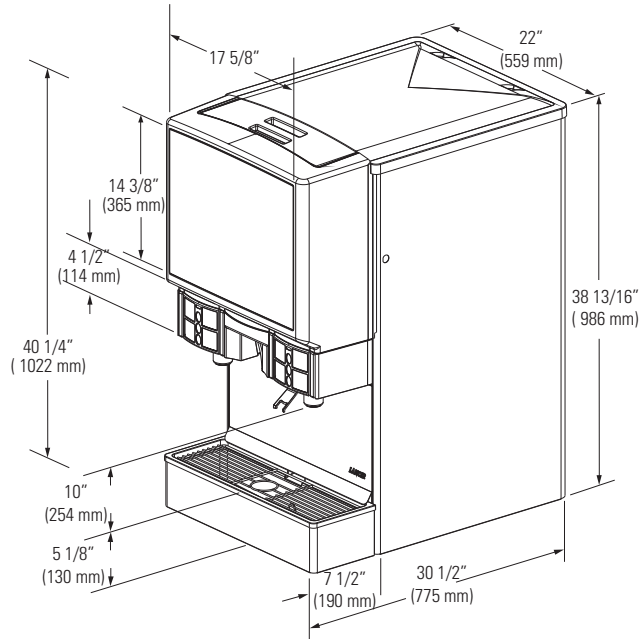
6655 Lancer Blvd • San Antonio, TX 78219

210-310-7000 • 1-800-729-1500 • FAX 210-310-7250 • www.lancercorp.com

LANCER

FS22

SPECIFICATIONS



User Interface Options for FS Series

FS22 - 8 Brands, 56 Flavor Possibilities

FS22 - 6 Brands, 42 Flavor Possibilities



Lancer "Lite Touch" user interface panels



Up to 16 enhanced fountain brands available

Bonus flavor indicator

Add up to 12 bonus flavor options

DIMENSIONS

Width: 22 in (558 mm)
 Depth: 30.5 in (775 mm)
 Height: 40.25 in (1022 mm)

SPACE REQUIRED

Width: 22 in
 Deep: 30.5 in

ELECTRICAL

115VAC/60Hz, 7AMPs
 230VAC/50Hz, 3.5AMPs

WEIGHT

Without ice: 280 lbs
 With ice: 480 lbs
 Shipping: 310 lbs

ICE

Capacity: 200 lbs
 Dispensable: 170 lbs

FITTINGS

Soda inlets: 3/8" barb
 Syrup inlets: 3/8" barb

WATER

Filtered water 50 psi min

Lancer LFCV Valves

Key lock switch for valves

Field Configurable

Front connection for products

Access to floor drain suggested

Parts warranty

Warranty: For warranty specifics by product, contact your Lancer Sales Representatives.

CORPORATE OFFICE 6655 Lancer Blvd - San Antonio, TX 78219
 210-310-7000 - 1-800-729-1500 - FAX 210-310-7250 - www.lancercorp.com

Equipment design and/or specifications may change without notice.

"Lancer" is the registered trademark of Lancer Corp. © 2010 Lancer, all rights reserved.

FS22 Spec Sheet 01/10