



ICD 2308

HI Performance Drop-In Dispenser

The ICD 2308 is designed using the highest quality materials and state-of-the-art technology providing our customers with consistent drink quality.

- Available with 8 post-mix valves
- Stainless steel construction with sealed-in cold plate
- 3/4" drain with strainer to prevent ice blockage
- Stainless steels flooded soda manifold and multiple plain water configuration
- Ice bin and tower manifold insulated with CFC free structural foam
- Tower designed with removable splash plate for easy access to components
- Dispenser can accommodate any number of non-carbonated drinks
- Optional top merchandiser and back marquee feature lighted graphics for maximum impact



LANCER®

ICD 2308 HI Performance

OPTIONS

Marquee



Merchandiser

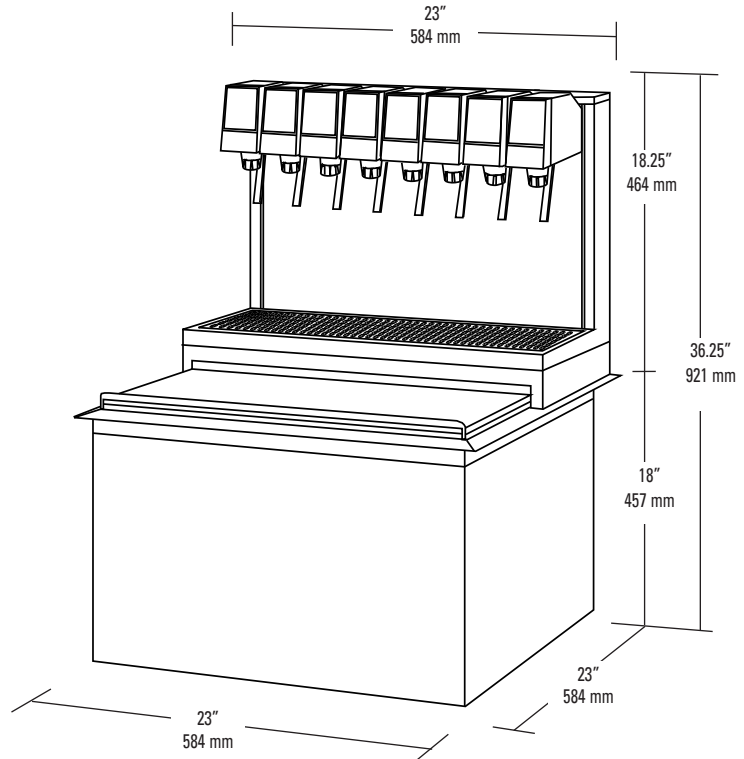


Splash Guards



Power Supply

SPECIFICATIONS



CONVERSION STAND 23" X 23"

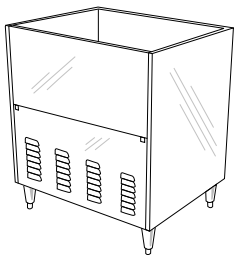
All stainless steel construction

Front access panel

6" (152 mm) adjustable legs

Allows quick and easy conversion from drop-in to free-standing unit

Shipping weight : 80lbs (45kg)



DIMENSIONS

Width: 23 in (584 mm)
Depth: 23 in (584 mm)
Height: 36.25 in (921 mm)

SPACE REQUIRED

Width: 23.25 in (591mm)
Deep: 23.25 in (591mm)

ELECTRICAL

120VAC/60Hz
230VAC/50Hz

WEIGHT

Without Ice: 190lbs (86kg)
With Ice: 290lbs (131kg)
Shipping: 210lbs (95kg)

ICE

Capacity: 100lbs (45kg)

FITTINGS

Soda inlets: 3/8" male barb
Syrup inlets: 3/8" male barb

VALVES

LEV® and other valves available upon request

FLEX MANIFOLD CONFIGURATION

8 valve 3-1-1-3

KEY LOCK SWITCH

DRAW PERFORMANCE

Number of Drinks Below 40°F

75°F (24°C) Ambient Temperature

12 oz./10 drinks per minute
24 oz./7 drinks per minute

90°F (32°C) Ambient Temperature

12 oz./8 drinks per minute
24 oz./5 drinks per minute

Units can supply drinks under 40°F at rated draw performance continuously as long as ice is kept on cold plate.

Warranty: For warranty specifics by product, contact your Lancer Sales Representatives.

CORPORATE OFFICE 6655 Lancer Blvd - San Antonio, TX 78219
210-310-7000 - 1-800-729-1500 - FAX 210-310-7250 - www.lancercorp.com

Equipment design and/or specifications may change without notice.

"Lancer" is the registered trademark of Lancer © 2007 by Lancer, all rights reserved.

ICD 2308 HI CC Spec Sheet 09/09